

Quality Door and Window Fittings

Inline Patio Handles (Timber)

2200 AND 3000

T9 0907

GROUPCO - T9 0907

2200

Designed to suit the 2200 Inline Patio Lock this reversible handle set is manufactured in extruded aluminium with a die cast mazak lever. Dummy (blank backplate) handle sets are available to suit bi-parting doors.

Finishes: White

| Part No. | Description | Box Qty. |
|----------|-------------|----------|
| 22103F8 | White | 1 |
| 22203DF8 | White Dummy | 1 |



3000

The aesthetically pleasing mazak cast D type handle is an added compliment to the variety of handles that can be used in conjunction with the 2200 Inline Patio Lock.

Finishes: White, PVD Silver and PVD Gold

| Part No. | Description | Box Qty. |
|----------|-------------------------|----------|
| 3001201 | Type D White | 1 |
| 3001212 | Type D PVD Silver | 1 |
| 3001214 | Type D PVD Gold | 1 |
| 3001203 | Type D White Dummy | 1 |
| 3001213 | Type D PVD Silver Dummy | 1 |
| 3001215 | Type D PVD Gold Dummy | 1 |





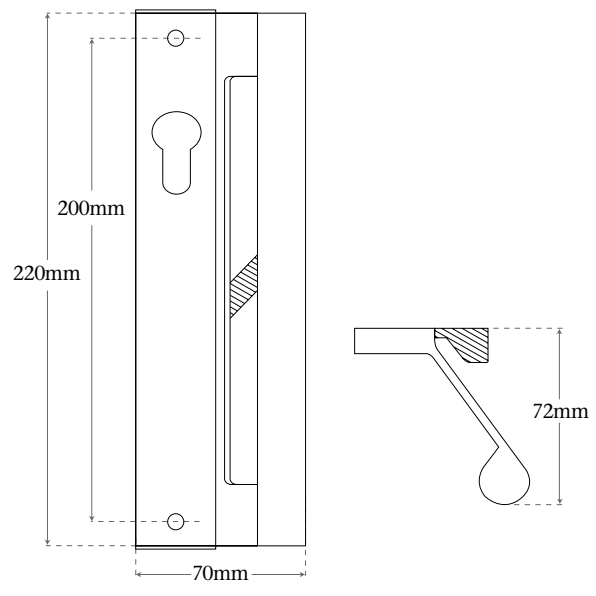
Quality Door and Window Fittings

Inline Patio Handles (Timber)

2200 AND 3000

T9 0907

2200



3000

