

123

Manufactured in die cast mazak this face fixed restrictor can be locked to allow tilt mode only with variable tilt positions achieved by adjusting the friction. A spacer is supplied for edge profiles above 16mm.

Available in White and Brown.

Part No.	Description	Box Qty.
12360	Multi vent restrictor white	10
12361	Multi vent restrictor brown	10

Options

Part No.	Description
42510	White spacer to suit edge profiles above 18mm
42499	Brown spacer to suit edge profiles above 18mm
42509	White spacer to suit edge profiles of 5°
42502	Brown spacer to suit edge profiles of 5°
42514	White spacer to suit edge profiles of 15°
42513	Brown spacer to suit edge profiles of 15°



70/1

Manufactured in steel silver bichromate finish with 16mm wide flat faceplate, this non-reversible restrictor is designed to fit into the eurogroove at the bottom of a tilt and turn sash to restrict the opening in the turn (cleaning) mode. It is also suitable for use as a restrictor on bottom hung opening inward sashes. To open the sash for cleaning a spring release mechanism is operated which automatically resets when the sash is closed.

Suitable for bottom hung sash rebate 280-570, maximum weight 25kg (1 stay).

For bottom hung sashes between 25-50kg fit two restrictors.

Description	Description	Box Qty.
JP7011LOX	Left hand restrictor	25
JP7011ROX	Right hand restrictor	25

Option

Stay 70/2 to suit bottom hung sash rebate 570-1000, maximum weight 25kg (1 stay) or 50kg (2 stays).





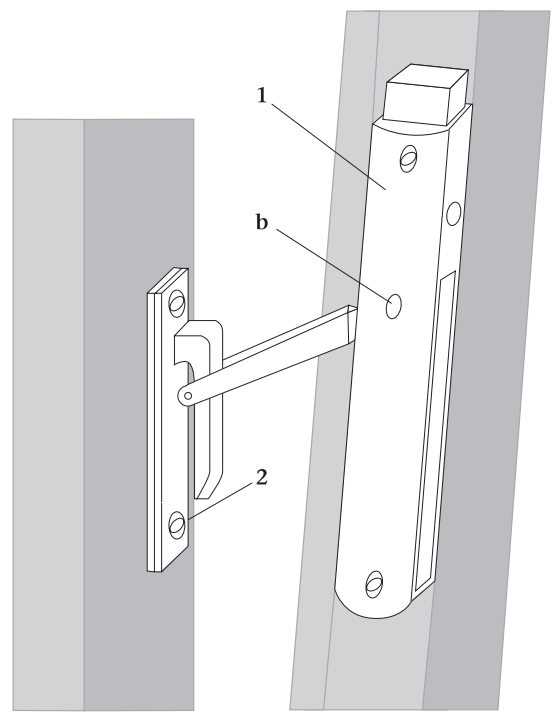
Quality Door and Window Fittings

Tilt And Turn Restrictors (Timber)

123 AND 70/1

T7 0907

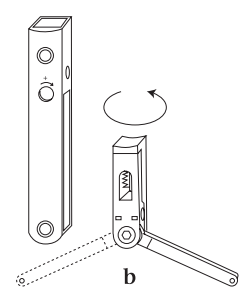
123



- 1 – Sash unit 15D x 16W x 110L
- 2 – Frame unit 10 x 56mm

ASSEMBLY OF THE 123

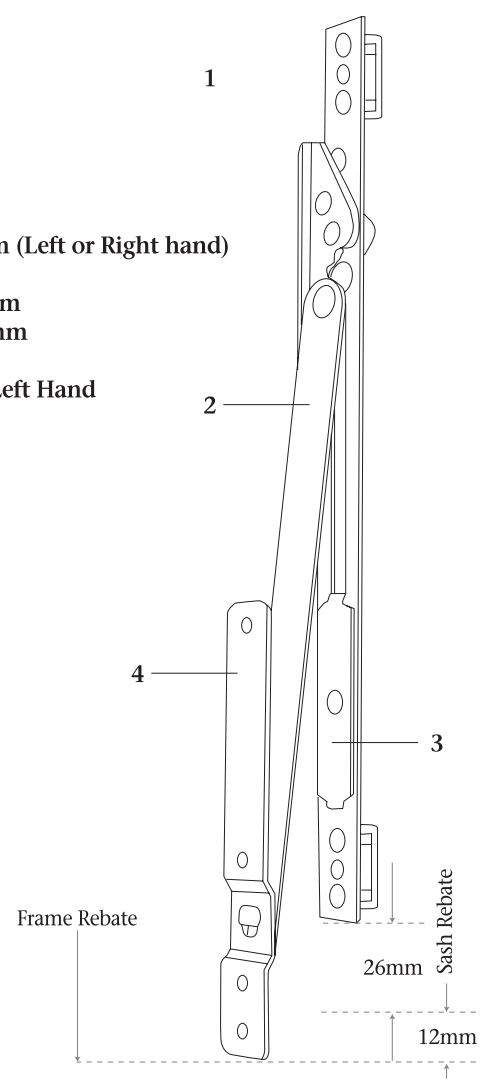
The restrictor arm must be mounted inside its case, ensuring that the allen head screw is visible after mounting onto the sash **b**. The allen key adjustment is for tightening or weakening the amount of friction required.



70/1

- 1 – Faceplate 16 x 250mm (Left or Right hand)
- 2 – Stay arm 185mm
- 3 – Stay buffer plate 65mm
- 4 – Frame unit 20 x 145mm

Handing: Illustration is Left Hand



Frame Rebate

Sash Rebate
26mm

12mm