

TOKYO TBT4

Manufactured in cast aluminium this reversible window handle is cylinder key locking. It has a nylon rosette and swivel cover plate to match the colour finish. The backplate has 10mm fixing lugs for improved stability. Spindle 7mm x 32mm. Fixing centres 43mm.

Operation

Handle will fully lock in the closed position by 180° anticlockwise turn of the key.

- To operate the window handle from the fully locked to the tilt position turn key clockwise 180°. Move handle to 90° position, window will now tilt only. With the handle unlocked the tilt position can be achieved without the key in situ.
- To fully open the window, in the tilt position turn the key clockwise 45° and simultaneously operate the handle to the 180° position. The window can now be fully opened.
- To close the window, push closed the sash and operate the handle back through the 90° tilt position to the 180° closed position. This operation of the window will reset the mechanism.

Part No.	Description	Box Qty.
2204728	Tokyo TBT4 Locking Handle Gold	10
2204736	Tokyo TBT4 Locking Handle White	10



ATLANTA TBT

Manufactured in cast aluminium this reversible window handle is cylinder key locking. It has a nylon rosette and swivel coverplate to match the colour finish. The backplate has 10mm fixing lugs for improved stability. Spindle 7mm x 32mm. Fixing centres 43mm.

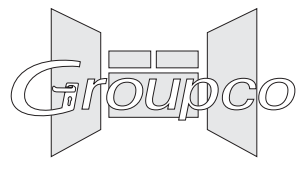
In operation the handle will engage in four positions at 90° intervals and when locked will always move freely to the tilt position. The turn position is always key controlled.

Dual function for the handle means if rotated 180° prior to fitting the handle can be locked in the closed position and operated as a tilt and turn handle.

Part No.	Description	Box Qty.
2311224	Silver Locking	10
2311697	Gold Anodised Locking	10
2311726	White Locking	10
2316666	Black Locking	10

Finishes: F1 Silver, F3 Gold Anodised, Black and White RAL9016 Powder coated.





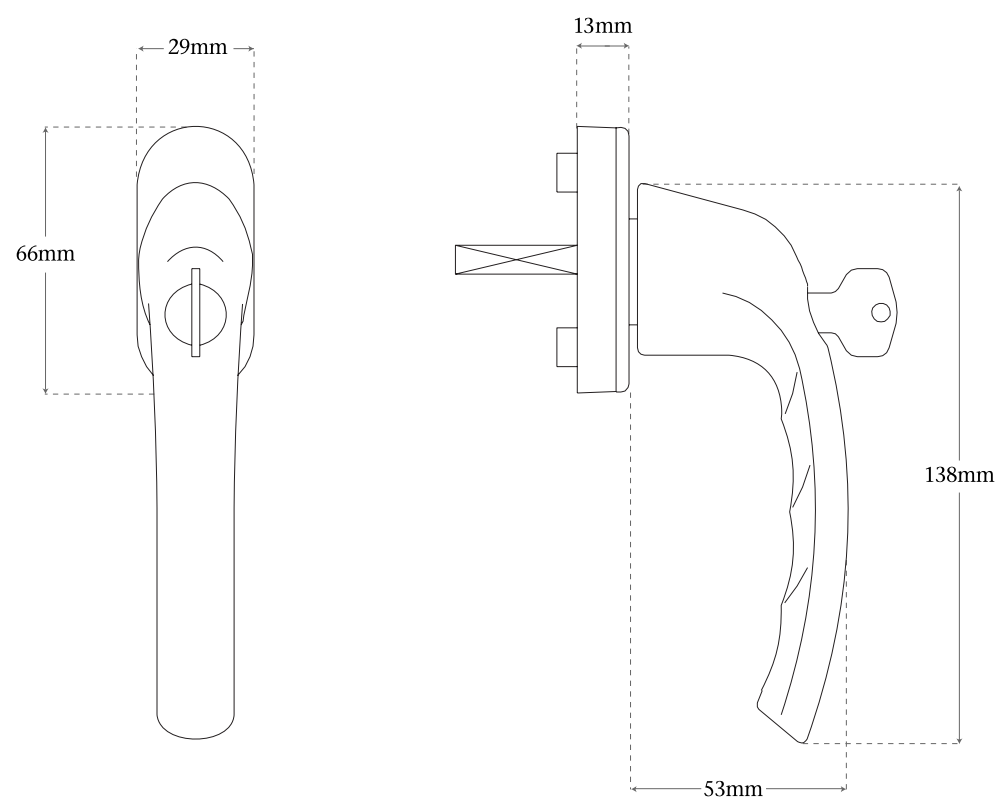
Quality Door and Window Fittings

Tilt Before Turn Handles (Timber)

TOKYO TBT4 & ATLANTA TBT

T6 0907

TOKYO TBT



ATLANTA TBT

