

Quality Door and Window Fittings

# Tilt Before Turn Handles (Timber) TOKYO 0710/U26 & 0710S/U26

T5 0907 Product by Hoppe

## TOKYO 0710/U26

Manufactured in cast aluminium this non-locking handle has a backplate with a nylon rosette and swivel coverplate to match the colour finish. The backplate has 10mm fixing lugs for improved stability. Spindle 7mm x 32mm. Fixing centres 43mm.

In operation the handle will engage in four positions at 90° intervals.

Finishes: F1 Silver, F3 Gold Anodised and White RAL9016 Powder coated.

Part No.	Description	Box Qty.
1827632	Silver Non Locking	100
1882244	Gold Anodised Non Locking	100
8157935	White Non Locking	100



## TOKYO 0710S/U26

Manufactured in cast aluminium this reversible window handle is cylinder key locking. It has a nylon rosette and swivel coverplate to match the colour finish. The backplate has 10mm fixing lugs for improved stability. Spindle 7mm x 32mm. 38mm length also available.

Fixing centres 43mm.

In operation the handle will engage in four positions at 90° intervals and when locked will always move freely to the tilt position. The turn position is always key controlled.

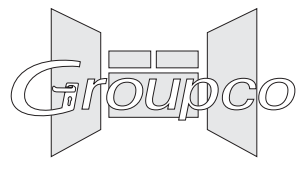
Dual function for the handle means if rotated 180° prior to fitting the handle can be locked in the closed position and operated as a tilt and turn handle.

Finishes: F1 Silver, F3 Gold Anodised, White RAL9016 Powder coated, Polished Chrome and Resista Brass.

Part No.	Description	Box Qty.
1958641	Silver Locking	10
1958659	Gold Anodised Locking	10
1958835	White Locking	10
2343040	Polished Chrome Locking*	10
2343058	Resista Brass Locking*	10



\*PVD finish, 10 year surface protection guarantee - Resista®

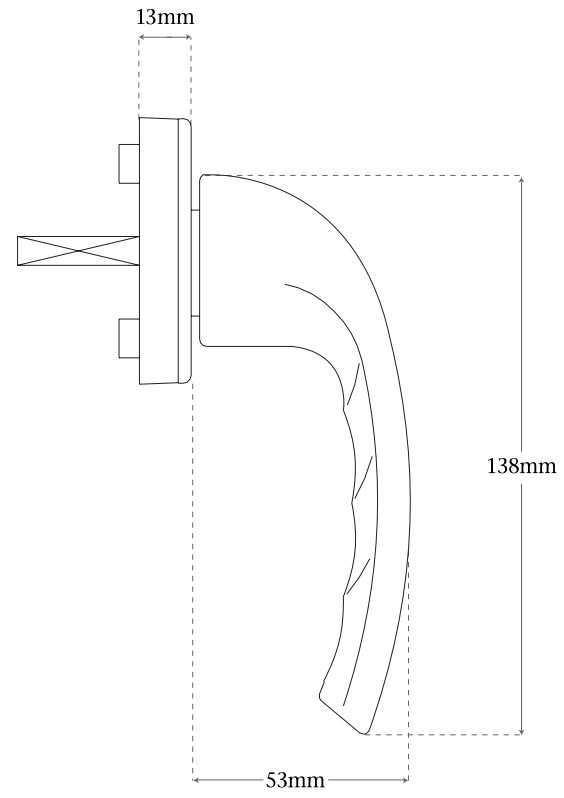
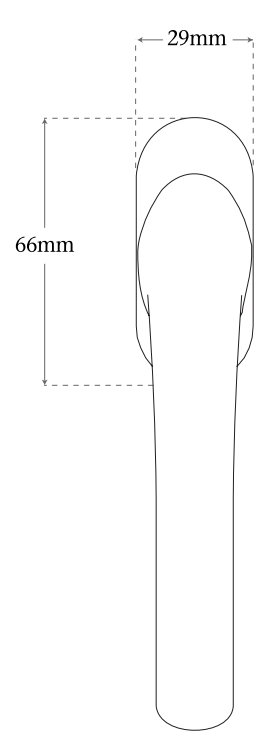


Quality Door and Window Fittings

# Tilt Before Turn Handles (Timber) TOKYO 0710/U26 & 0710S/U26

T5 0907 Product by Hoppe

## TOKYO 0710/U26



## TOKYO 0710S/U26

