

### 10" Post Port

The ergonomically curved edge design, ABS frame, adjustable telescopic sleeve and extruded aluminium flap designed to open to 180° make this letterplate a modern, stylish option for any PVCu door.

Cut door aperture 235mm x 50mm.

Fixing centres 242mm.

- Fully sealed backplate
- Fully sealed letterplate flap
- Fitted with brush strip for greater insulation
- Fitted with integral sound dampening bumpers
- Supplied with fixing bolts and a compression gasket as standard
- Conforms to BS2911
- 2 year guarantee - mechanical failure



Available in two sizes:

Size 1 – suitable for door thickness 20-40mm

Size 2 – suitable for door thickness 40-80mm

### SIZE 1

Part No.	Description		Box Qty.
	Flap	Frame	
B54110-02E	White	Black	50
B54110-03E	Black	Black	50
B54110-33E	Pol'd Gold	Black	50

### SIZE 2

Part No.	Description		Box Qty.
	Flap	Frame	
B55210-02E	White	White	40
B54210-02E	White	Black	40
B54210-03E	Black	Black	40
B54210-33E	Pol'd Gold	Black	40
B54210-35E	Pol'd Silver	Black	40
B54210-37EL	Pol'd Chrome	Black	40

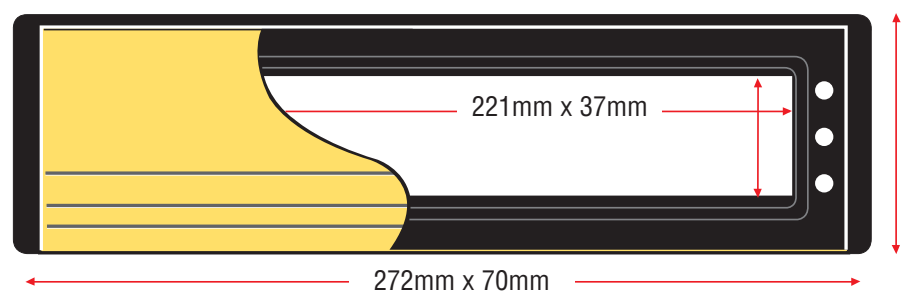
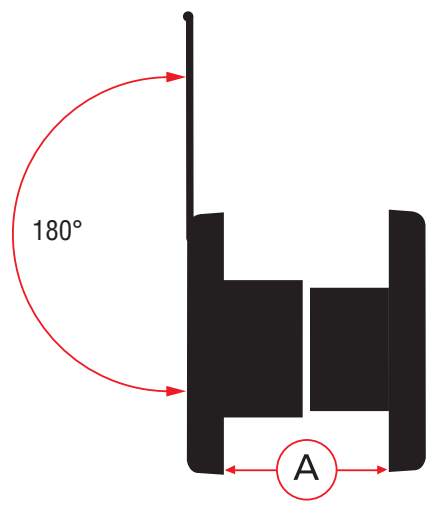


Quality Door and Window Fittings

# Letterplates

## 10" POST PORT

D40 0509



← A → Available for door thicknesses of 20mm to 40mm (size 1)

← A → Available for door thicknesses of 40mm to 80mm (size 2)

□ Cut door aperture: 235mm x 50mm