

Quality Door and Window Fittings

Door Furniture

ATLANTA LEVER/LEVER & PAD/LEVER

D37 0907 Product by HOPPE

GROUPCO - D37 0907

ATLANTA LEVER/LEVER

Manufactured with a lever in cast aluminium and a radiussed backplate with stainless steel under construction and aluminium coverplate, this unsprung lever furniture has been designed to be fully reversible with fixing lugs supplied on both backplates for a more secure fit.

Supplied with M5 fixing screws and spindle to suit door thickness upto 70mm.
Spindle 8mm. Centres 92mm.

Finishes: F1 Silver, F3 Gold Anodised, White RAL9016 and Black Matt RAL9714
Powder Coated, Brass and Chrome PVD.

Part No.	Description	Box Qty.
2310838	Silver	6
2310918	Gold Anodised	6
2315786	Black	6
2310951	White	6
2350101	Brass*	6
2350098	Polished Chrome*	6



ATLANTA MOVEABLE PAD/LEVER

Manufactured with a pad/lever in cast aluminium and a radiussed backplate with stainless steel under construction and aluminium coverplate, this unsprung moveable pad/lever furniture has been designed to be fully reversible with fixing lugs supplied on both backplates for a more secure fit.

Supplied with M5 fixing screws and spindle to suit door thickness upto 70mm.
Spindle 8mm. Centres 92mm.

Finishes: F1 Silver, F3 Gold Anodised. White RAL9016 and Black Matt RAL9714
Powder Coated.

Part No.	Description	Box Qty.
2310977	Silver	5
2311005	Gold Anodised	5
2315794	Black	5
2311048	White	5
2350178	Brass*	5
2350160	Polished Chrome*	5



*PVD Finish, 10 year surface protection guarantee - Resista®



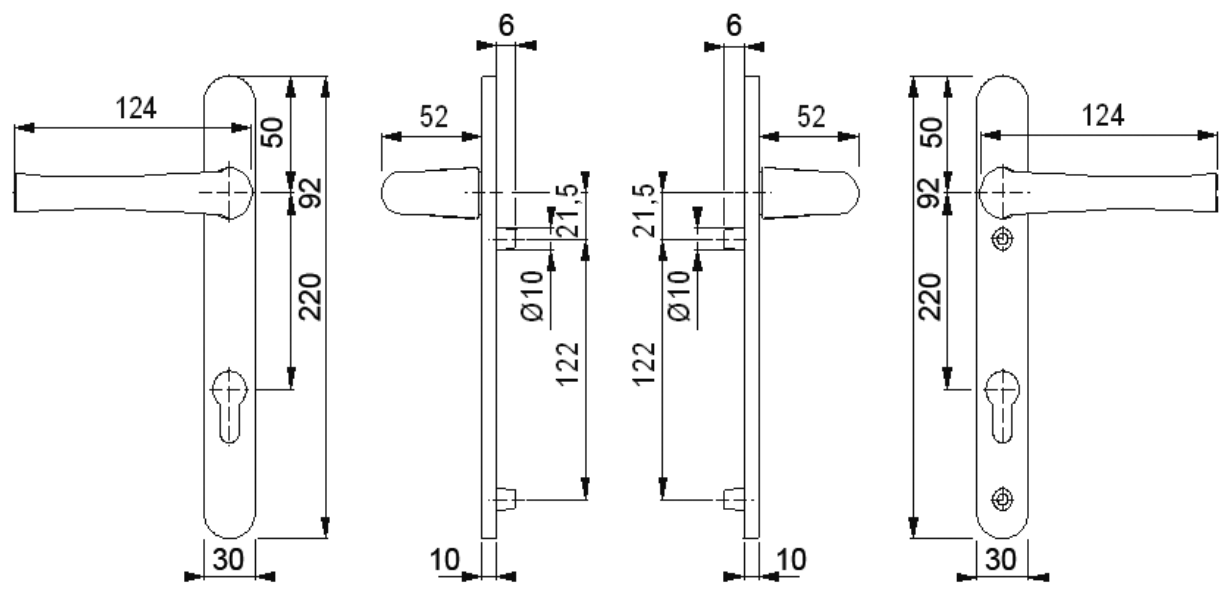
Quality Door and Window Fittings

Door Furniture

ATLANTA LEVER/LEVER & PAD/LEVER

D37 0907 Product by HOPPE

ATLANTA LEVER/LEVER



ATLANTA MOVEABLE PAD/LEVER

