

Quality Door and Window Fittings

Door Furniture

NEW TOKYO LEVER & PAD/LEVER

D34 0108 Product by HOPPE

GROUPCO - D34 0108

TOKYO LEVER/LEVER

Manufactured with a lever in cast aluminium and a new 32mm cast aluminium external backplate with a sculptured edge, this unsprung furniture has been designed to be fully reversible with strengthened fixing lugs supplied on both backplates for a more secure fit.

Tested to EN1906:5.02

Supplied with M6 fixing screws and spindle to suit door thickness up to 70mm.
Spindle 8mm. Centres 92mm.

Finishes: F1 Silver and F3 Gold Anodised, White RAL9016 and
Black Matt RAL9714 Powder Coated, Brass and Chrome PVD.

Part No.	Description	Box Qty.
2758159	Silver	6
2758288	Gold Anodised	6
2758499	Black	6
2758405	White	6
2368010	*Brass	6
2368001	*Polished Chrome	6

*PVD Finish, 10 Year Surface Protection Guarantee - Resista®

TOKYO MOVEABLE PAD/LEVER

Moveable pad/lever manufactured in cast aluminium and a new 32mm cast aluminium external backplate with a sculptured edge, this unsprung pad/lever furniture has been designed to be fully reversible with strengthened fixing lugs supplied on both backplates for a more secure fit.

Supplied with M6 fixing screws and spindle to suit door thickness upto 70mm.
Spindle 8mm. Centres 92mm.

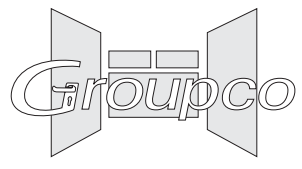
Finishes: F1 Silver and F3 Gold Anodised, White RAL9016 and
Black Matt RAL9714 Powder Coated, Brass and Chrome PVD.

Suitable for fitting with solid or split spindle to the 859 door bolt as an alternative to lever/lever furniture.

Part No.	Description	Box Qty.
2758878	Silver	5
2758907	Gold Anodised	5
2758982	Black	5
2758966	White	5
2368052	*Brass	5
2368044	*Polished Chrome	5

*PVD Finish, 10 Year Surface Protection Guarantee - Resista®





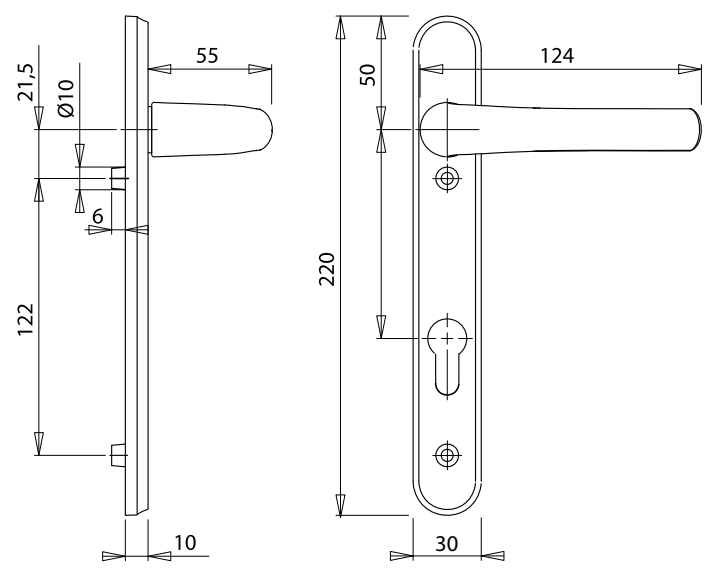
Quality Door and Window Fittings

Door Furniture

NEW TOKYO LEVER & PAD/LEVER

D34 0108 Product by HOPPE

TOKYO LEVER/LEVER



(External plate 32mm)

TOKYO MOVEABLE PAD/LEVER

