

Quality Door and Window Fittings

Door Furniture

ORTON LEVER/LEVER & PAD/LEVER

D33 0409 Product by Groupco

ORTON LEVER/LEVER

An aluminium lever and aluminium radiussed backplate with stainless steel under construction, this furniture has been designed to be fully reversible with fixing lugs on both 31mm wide backplates offering a more secure fit.

Supplied with a choice of M5 fixing screws and 8mm spindles suitable for door thickness up to 70mm. Centres 92mm.

Finishes: F1 Silver and F3 Gold Anodised, White RAL9016, and Matt Black RAL 9714 Powder Coated

Part No.	Description	Box Qty.
3192ASLLS	Silver Lever/Lever	36
3192ASLLG	Gold Lever/Lever	36
3192ASLLB	Black Lever/Lever	36
3192ASLLW	White Lever/Lever	36



ORTON PAD/LEVER

Moveable pad/lever in cast aluminium and die cast zinc backplate for the powder coated finishes and pad/lever and backplate in die cast zinc for the PVD finishes, this sprung furniture has been designed to be fully reversible with fixing lugs on both 31mm wide backplates offering a more secure fit.

Supplied with M5 fixing screws and spindles to suit door thickness up to 70mm Spindle 8 x 110mm. Centres 92mm.

Groupco stock finishes: White Powder Coated, Brass PVD and Chrome PVD

Part No.	Description	Box Qty.
3192LPW	White Pad/Lever	20
3192LPPB	Brass PVD Pad/Lever	20
3192LPPC	Chrome Pad/Lever	20





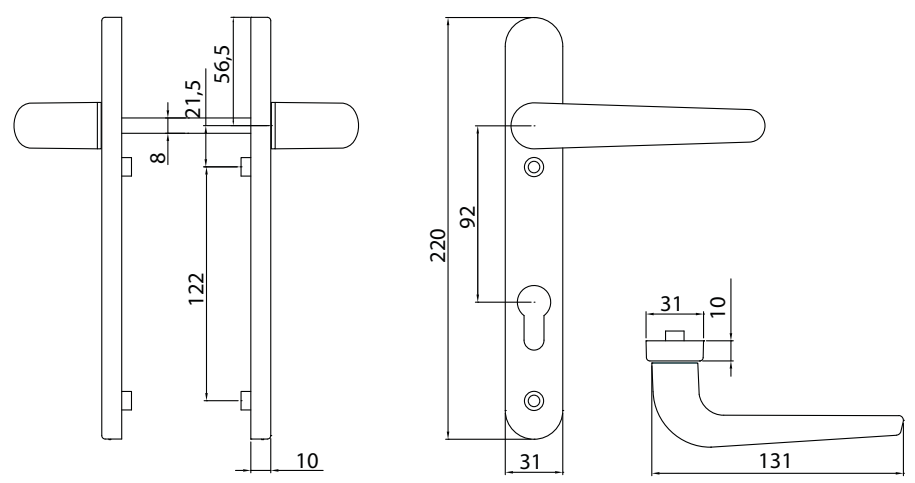
Quality Door and Window Fittings

Door Furniture

ORTON LEVER/LEVER & PAD/LEVER

D33 0409 Product by Groupco

ORTON LEVER/LEVER



ORTON PAD/LEVER

