

Quality Door and Window Fittings

Euro Profile Cylinders

ISEO DOUBLE CYLINDER

D32 0907

GROUPCO - D32 0907

ISEO DOUBLE CYLINDER

This 5 pin cylinder is manufactured in Europe with the locking cam offset in the closed position and with 4 anti-pick pins for added security.

Successfully tested in accordance with BS EN 1303: 2005 to Grade 4.

Classification:

1	6	0	0	0	C	4	0
---	---	---	---	---	---	---	---

Supplied complete with M5 fixing bolt and 3 keys per cylinder.

A UK standard keyblank is instantly available at all key cutting facilities.



STANDARD DIFFER

NICKEL			BRASS		
Part No.	Description	Box Qty.	Part No.	Description	Box Qty.
034049	30/30	10	034110	30/30	10
034071	30/55	10	034112	30/55	10
034070	35/35	10	034111	35/35	10
034057	35/45	10	034113	35/45	10
034069	35/50	10	034114	35/50	10
034066	35/55	10	034115	35/55	10
034047	40/40	10	034121	40/40	10
034061	40/45	10	034122	40/45	10
034045	40/50	10	034123	40/50	10
034026	40/55	10	034146	40/55	10
034046	40/60	10	034124	40/60	10
034064	45/45	10	034116	45/45	10
034050	45/50	10	034150	45/50	10
034065	45/55	10	034117	45/55	10

All sizes are available as keyed alike or keyed alike in pairs.

Simply suffix the code with KA for keyed alike or KA2 for keyed alike in pairs.



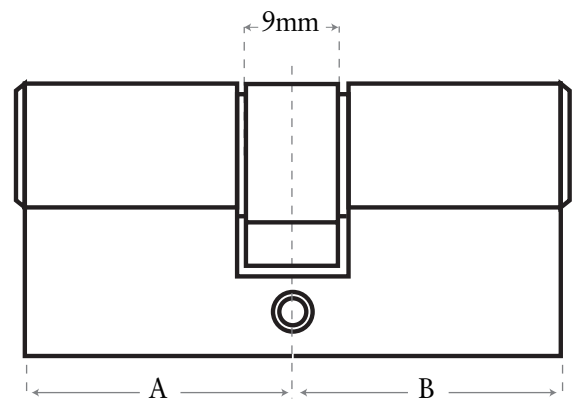
Quality Door and Window Fittings

Euro Profile Cylinders

ISEO DOUBLE CYLINDER

D32 0907

ISEO



Length (mm) - A
Length (mm) - B

