

Quality Door and Window Fittings

Residential Door Bolts

859 TYPE 3

D17 0907 Product by FUHR

859 TYPE 3 – Multi-Function – Hook Bolts

One piece 16mm wide steel flat faceplate silver bichromate finish 2170mm overall, enclosed zinc plated lockcase to suit lever and profile cylinder, with latch, deadbolt, 2 roller cams and 2 hook bolts.

Split follower to suit solid or split spindle operation, see functions 1 and 2.

Also available with 4 hook bolts. Follower 8mm. Centres 92mm. Handle height 1020mm.

- Day latch retention facility to avoid inadvertent lock out
- Reversible latch
- Latch sealing pressure adjustable via profile related plates
- Adjustable brass roller cams +/- 1mm provide consistently smooth and reliable engagement into plates
- Roller cam travel 19mm
- Steel Hook Bolt throw 20mm with lockout for strength and security
- Hook bolt sealing pressure adjustable via profile related plates
- Deadbolt throw – 20mm (Backset 35mm, 45mm)
- Profile related plates
- Interchangeable with 856 door bolt

Operation

Function 1 – Solid Spindle

Locking inside/outside Lift lever engages roller cams and hook bolts into plates, single turn of key throws deadbolt and locks the mechanism, lever returns to horizontal position.

Unlocking inside/outside Single turn of key retracts deadbolt, depress lever disengages roller cams, hook bolts and retracts latch, lever returns to horizontal position.

Function 2 – Split Spindle

Locking inside Lift lever engages roller cams and hook bolts into plates, single turn of key throws deadbolt and locks the mechanism, lever returns to horizontal position.

Locking outside When closed the door is retained on day latch which is released by key only. Lift lever/pad engages roller cams and hook bolts into plates, single turn of key throws deadbolt and locks the mechanism, lever/pad returns to horizontal position.

Unlocking inside Single turn of key retracts deadbolt, depress lever disengages roller cams, hook bolts and retracts latch, lever returns to horizontal position.

Unlocking outside Single turn of key retracts deadbolt, depress lever/pad disengages roller cams and hook bolts, lever/pad returns to horizontal position. Further quarter turn of key retracts day latch.

Available from stock in 30mm, 35mm and 45mm backset.

A.B.I. Approved

Part No.	Description	Box Qty.
M9352D64SF	859 Doorbolt 2 Hook Backset 35mm	5
M9352DF4SF	859 Doorbolt 4 Hook Backset 35mm	5
POM859S	Split Spindle Set	5
POM859	Split Spindle Set - 70mm System	5
POM859E	Split Spindle Set - Rehau 546210	5
POM859G	Split Spindle Set - Rehau 546220	5

Options

Factory fitted mis-operation device.



POLICE PREFERRED SPECIFICATION



Quality Door and Window Fittings

Residential Door Bolts

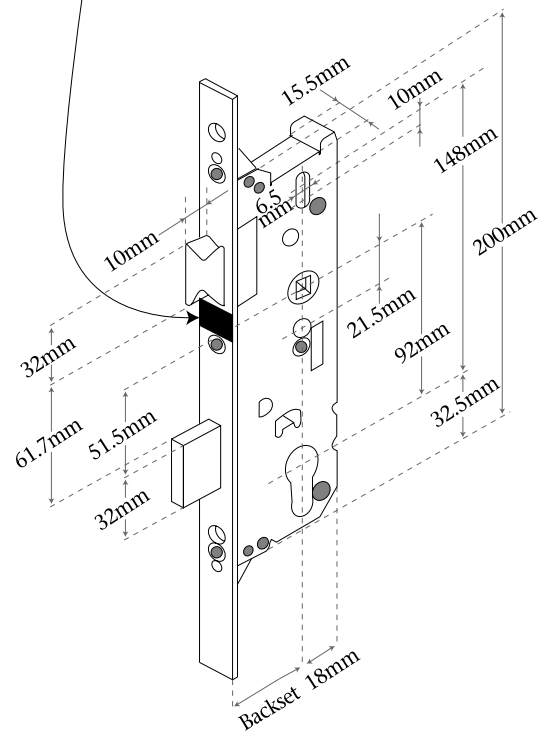
859 TYPE 3

D17 0907 Product by FUHR

- 859 TYPE 3**
- Multi-Function
 - Hook Bolts

DAY LATCH RETENTION

To operate retract latch and slide upwards to retain.
To release latch slide downwards.



SPLIT SPINDLE IDENTIFICATION

Yellow Bichromate – Inside
Blue Galvanised – Outside

