

Quality Door and Window Fittings

# Hinges

## ORTON BUTT HINGE & LINIAR HINGE

D1 0409 Product by Groupco

### ORTON BUTT HINGE

100mm die cast zinc reversible adjustable door hinge with security grub screw as standard. Groupco currently stocks 0° version in white, dark brown and caramel finishes.

- Concealed fixings
- Allows door leaf to be fitted at the factory or on site
- Easily adjusted once in place
- +/- 2mm lateral adjustment

Part No.	Description	Box Qty.
1D00W	1D Butt hinge 0° White	10/60
1D00B	1D Butt hinge 0° Dark Brown	10/60
1D00C	1D Butt hinge 0° Caramel	10/60
1DJIG	1D Jig	1



### LINIAR HINGE

Bespoke hinge, 110mm with 80mm flag, which complements the profile detail of the Liniar Door System.

- Concealed fixings
- Security grub screw as standard
- Easily adjusted once in situ

Part No.	Description	Box Qty.
LINEAR9016	Liniar Hinge White	24
LINEAR8019	Liniar Hinge Brown	24
LINEAR8003	Liniar Hinge Caramel	24





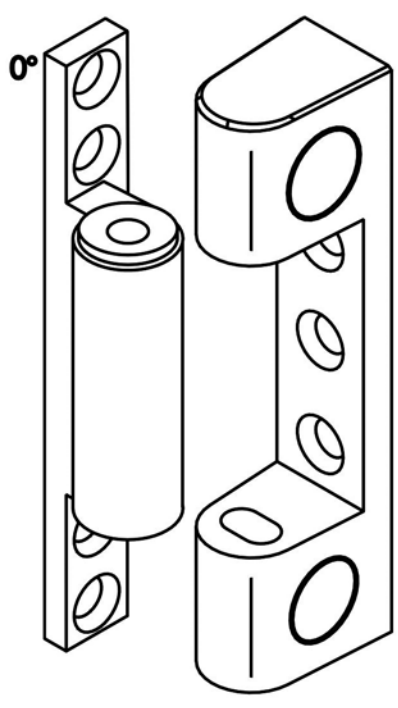
Quality Door and Window Fittings

# Hinges

## ORTON BUTT HINGE & LINIAR HINGE

D1 0409 Product by Groupco

### ORTON BUTT HINGE



### LINIAR HINGE

