

95

Manufactured in stainless steel this non-reversible restrictor is designed to fit into the rebate of the sash and the frame to restrict the opening of a window to no more than 100mm.

To open the sash for cleaning a spring release mechanism is operated which automatically resets when the sash is closed.

Available with 9.5mm, 10.5mm, 11.5mm, 14.5mm and 16.5mm high pivot posts.

- Tested by BSI to BS6375: Part 2: 1987 Clause A7 Test 6. Force applied 600N for 5 seconds (restricted opening).



Part No.	Description	Box Qty.
95022U	Left hand restrictor	50
95023U	Right hand restrictor	50
95004U	9.5mm pivot post	50
95007U	10.5mm pivot post	50
95005U	11.5mm pivot post	50
95006U	14.5mm pivot post	50
95008U	16.5mm pivot post	50



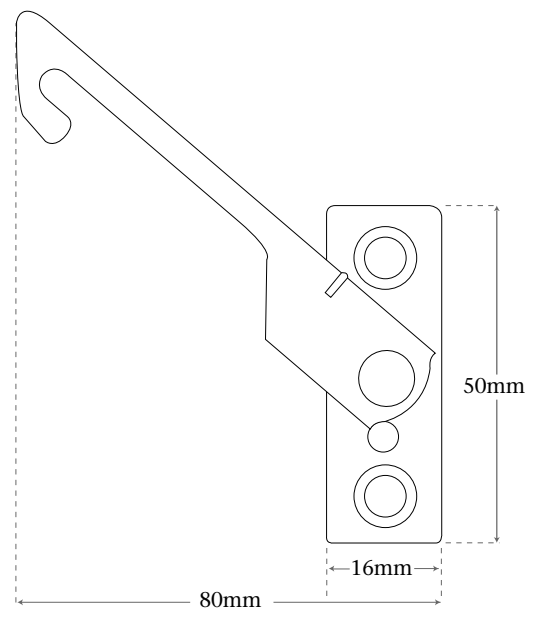
Quality Door and Window Fittings

Casement Restrictors

95

C19 0907

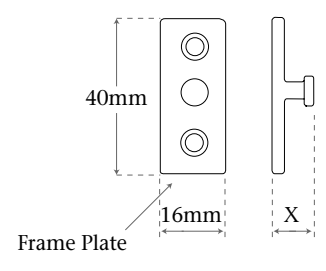
95



FIXING INSTRUCTIONS

When used in conjunction with friction stays both the restrictor and frame plate should be fixed using the same centre line as the stays. When fixed the frame plate should automatically engage into the restrictor arm when sash is closed.

Handing: Illustration is Left Hand.



Dim X — 9.5mm, 10.5mm, 11.5mm, 14.5mm, 16.5mm