

TOKYO INLINE

Manufactured in aluminium this inline window handle is designed for use with espagnolette window locks. The handle is easily operated by pushing the button and moving to a positive stop position at 90°. The handle latches automatically when closed and for additional security the cylinder can be deadlocked with the key.

Spindle 7mm. Fixing centres 43mm. Fixing lugs 10mm.

Spindle lengths: 16mm, 25mm, 30mm and 40mm.

Finishes: Gold PVD, White RAL9016 Powder Coated, F3 Gold and Polished Chrome.

Part No.	Description	Box Qty.
2397857	Gold PVD 16mm	50
2397881	Gold PVD 30mm	50
2397890	Gold PVD 40mm	50
2371497	White 16mm	50
2371518	White 25mm	50
2371526	White 30mm	50
2371534	White 40mm	50



TOKYO CRANKED

Manufactured in aluminium this cranked window handle is designed for use with espagnolette window locks. The handle is easily operated by pushing the button and moving to a positive stop position at 90°. The handle latches automatically when closed and for additional security the cylinder can be deadlocked with the key.

Spindle 7mm. Fixing centres 43mm. Fixing lugs 10mm.

Spindle lengths: 16mm, 30mm and 40mm.

Finishes: Gold PVD, White RAL9016 Powder Coated, F3 Gold and Polished Chrome.

Part No.		Description	Box Qty.
LH	RH		
2437142	2437003	Gold PVD 16mm	50
2437193	2437054	Gold PVD 30mm	50
2437206	2437062	Gold PVD 40mm	50
2372121	2371809	White 16mm	50
2372166	2371833	White 30mm	50
2372174	2371841	White 40mm	50



To offer non-locking espagnolette handles Push-In Buttons can be purchased.

Part No.	Description	Box Qty.
2445311	Black	1
2445302	White	1
2445290	Green	1

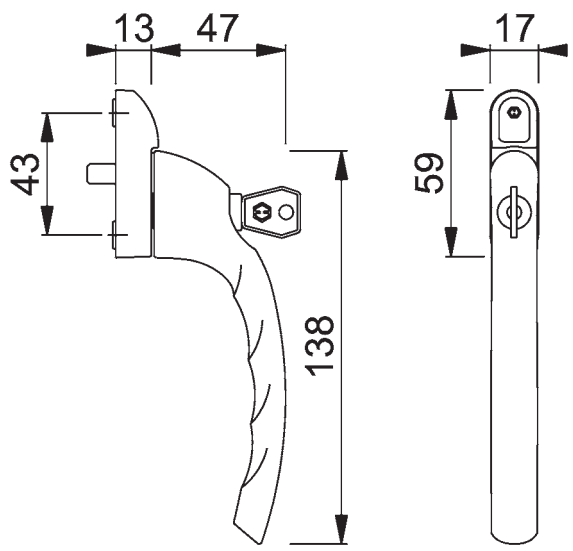


Quality Door and Window Fittings

Espagnolette Handles TOKYO INLINE & CRANKED

C14 0907 Product by HOPPE

TOKYO INLINE



TOKYO CRANKED

