

Quality Door and Window Fittings

Inline Patio Handles 2200 AND 3000

B2 0907

2200

Designed to suit the 2200 Inline Patio Lock this reversible handle set is manufactured in extruded aluminium with a die cast mazak lever. Dummy (blank backplate) handle sets are available to suit bi-parting doors.

Finishes: White

Part No.	Description	Box Qty.
22103F8	White	1
22203DF8	White Dummy	1



3000

The aesthetically pleasing mazak cast D type handle is an added compliment to the variety of handles that can be used in conjunction with the 2200 Inline Patio Lock.

Finishes: White, PVD Silver and PVD Gold

Part No.	Description	Box Qty.
3001201	Type D White	1
3001212	Type D PVD Silver	1
3001214	Type D PVD Gold	1
3001203	Type D White Dummy	1
3001213	Type D PVD Silver Dummy	1
3001215	Type D PVD Gold Dummy	1



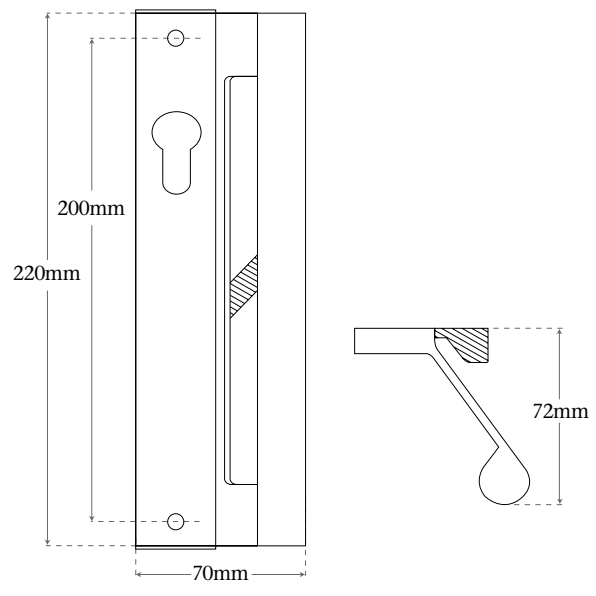


Quality Door and Window Fittings

Inline Patio Handles 2200 AND 3000

B2 0907

2200



3000

